

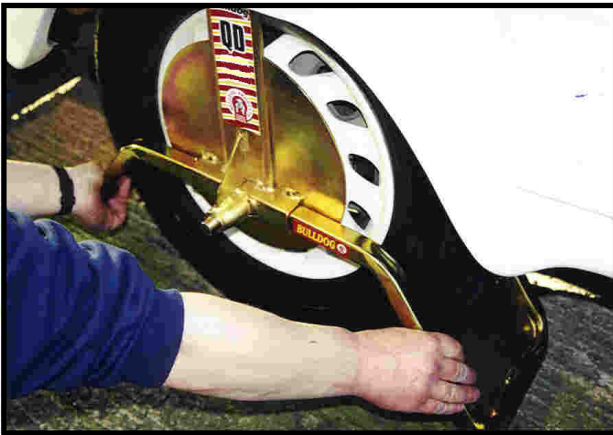
# Bulldog QD33/QD44 Wheel Clamp Fitting Instructions



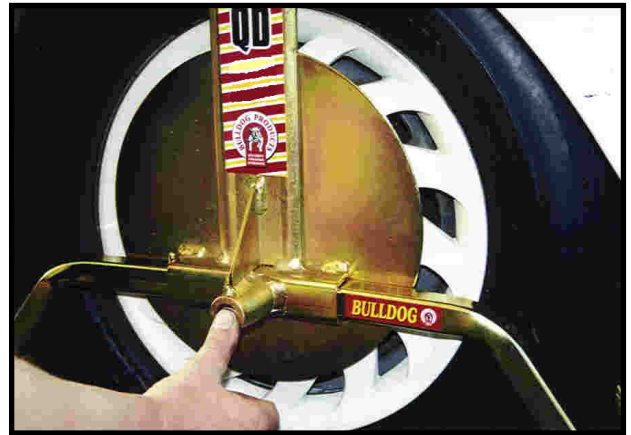
1. Fit top arm and rotate until vertical.



2. Fit left hand arm into channel until roll pin touches channel.



3. Fit right hand arm into channel until label lines up with channel.



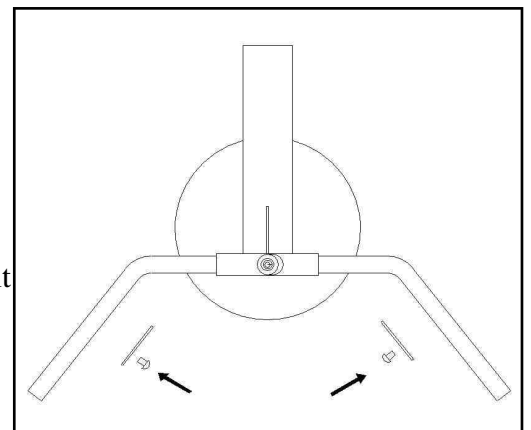
4. The lock can now be pushed in until it clicks.

**NOTE.** Dependent on tyre size, the reversible chock plates may be fitted to the underside of the wheel clamp arms. The fixing holes in these plates are deliberately set off centre to provide various extensions for differing tyre sizes. The table below may be used as a guide only.

QD 33	175 R13	No plates
	165 R13	One or two plates, short extension position
	145/155 R13	Two plates, long extension position
QD 44	195/70 R14	Two plates, short extension position
	185 R14	No plates
	175 R14	Two plates, short extension position
	165 R14	Two plates, one long and one short extension positions

Remove clamp, loosely fit chock plate(s) and refit clamp when correct fit is obtained, fully tighten button head fasteners and tap in aluminium tamper proof slugs into heads after supporting arm on a solid surface.

5. To Un-Lock Clamp: Insert key, rotate 1/2 turn, and pull on key until lock opens.



We have taken every care in the design and manufacture of this security device and we believe that it is an effective deterrent. However we cannot guarantee that it will resist the efforts of the most determined thief, and as such we do not accept any liability for loss or damage caused by theft, vandalism or other illegal activity against property to which this device is fitted.

#### Lock Lubrication.

**IMPORTANT** - To ensure free movement of the lock, spray outside of lock body with WD40 (or equivalent) minimum every four months.

#### Key Security. Enter your key number here:

**IMPORTANT** - Your Bulldog product is supplied with two keys. Make a note of your personal key number in the space provided above and **keep it in a safe place**. Should you lose your keys, replacements can only be obtained from the manufacturer through your dealer.

