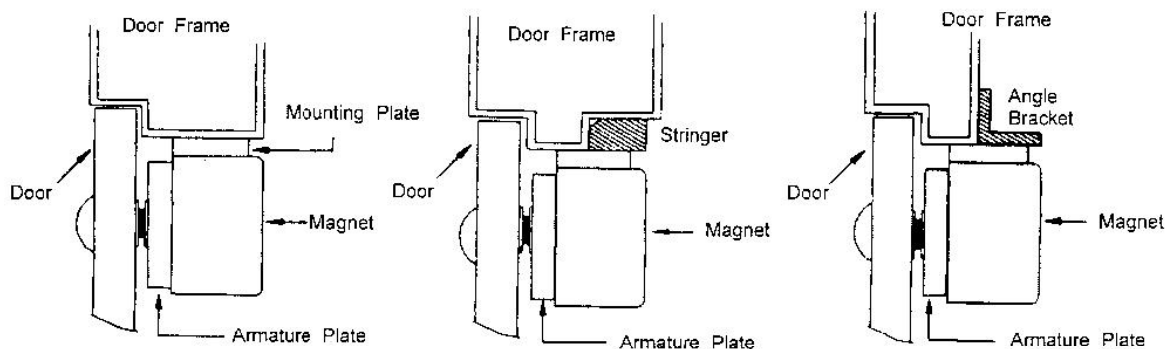


# Instructions For Magnetic Locking Devices

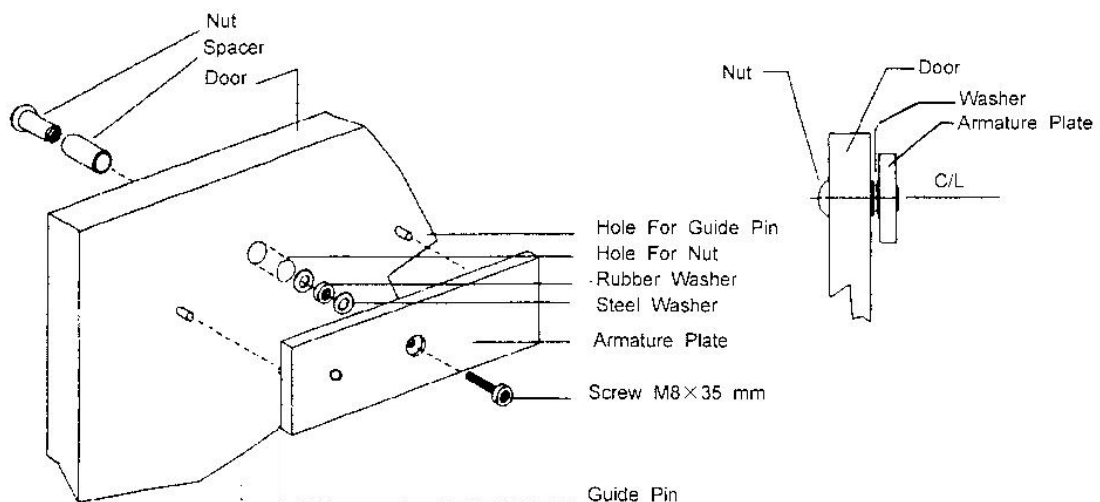
Important: Please Read Before Attempting To Install Magnetic Lock

- A. Handle the equipment with care, damaging the mating surfaces of the magnet or armature plate may reduce locking efficiency.
- B. The magnet mounts rigidly to the door frame, The armature plate mounts to the door with hardware. Kit provided that allows it to pivot about its center to compensate for door wear and misalignment.
- C. Template use must take place with the door in its normally closed position.
- D. Firmly tighten all screws.

Typical Installation:



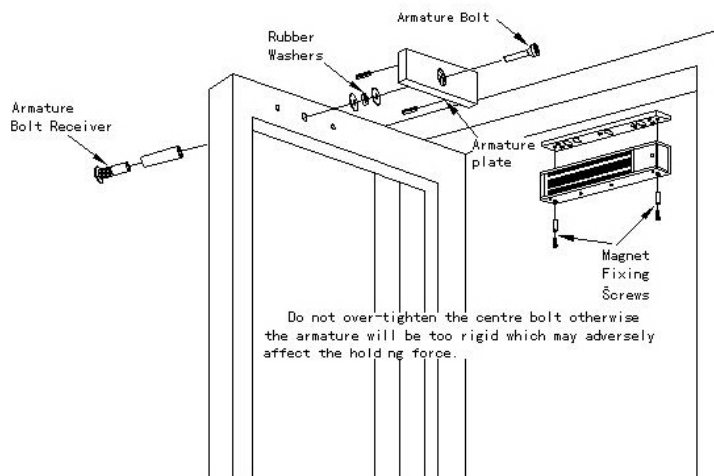
## Armature Plate Mounts To The Door



**\*\*Important:** Fix the armature plate not too tightly, and make the rubber washer more flexible, in order to make the armature plate automatically adjust its proper position with the magnet.

## RECOMMENDATIONS FOR THE INSTALLATION OF ELECTRO-MAGNETS

- A. Always use a good quality power supply capable of providing fully rectified D.C. Electromagnets should not be powered by A.C. or partially rectified D.C. as the unit will not function correctly.
- B. Make sure the P.S.U. you intend to use provides enough amperage to successfully operate the number of magnets on the application, do not connect too many to one power supply. We would suggest a safety margin of 250 milliamps over and above the applications requirements.
- C. Ensure the cable size you intend to use is sufficient diameter so as to keep line drop to a minimum.
- D. Take care to ensure that the alignment of the armature plate corresponds accurately with the magnet face to achieve the best performance in terms of the product's holding force.
- E. Do not over compress the armature bolt washers as this will make the armature too rigid and prevent the face of the armature automatically aligning with the magnet face. Check its movement to make sure it is too rigid.
- F. We would recommend the door alignment and fixings are checked at least twice a year (depending on level of usage) to ensure correct operation of this device.
- G. Ensure that the threads on all of the fixing screws (in particular the armature fixing bolt) on the 260 and 280 series magnets have their threads coated with Loctite 222 or similar.



Picture	Quantity	Specification	280 SERIES	260 SERIES
	1	ALUM SPACER 43.4*180*12.3 0mm	<input checked="" type="checkbox"/>	<input checked="" type="checkbox"/>
	1	ARMATURE BOLT RECEIVER 85*41mm	<input checked="" type="checkbox"/>	<input checked="" type="checkbox"/>
	2	RUBBER WASHER 16mm DIA	<input checked="" type="checkbox"/>	<input checked="" type="checkbox"/>
	2	SLIDE PIN 6*16mm	<input checked="" type="checkbox"/>	<input checked="" type="checkbox"/>
	1	ARMATURE BOLT 8*40mm 17/19mm	<input checked="" type="checkbox"/>	<input checked="" type="checkbox"/>
	2	8*16mm COUNTERSUNK SCREW	<input checked="" type="checkbox"/>	<input checked="" type="checkbox"/>
	2	3 STEEL WASHER 22mm DIA	<input checked="" type="checkbox"/>	<input checked="" type="checkbox"/>
	2	ALUM CAP 10mm DIA	<input checked="" type="checkbox"/>	<input type="checkbox"/>
	2	SPROCKET 16. L*140. 600*10mm	<input checked="" type="checkbox"/>	<input type="checkbox"/>
	1	ALLEN KEY 5mm	<input checked="" type="checkbox"/>	<input type="checkbox"/>
	2	8*27mm MACHINE SCREW	<input checked="" type="checkbox"/>	<input type="checkbox"/>
	3	8*45mm MACHINE SCREW	<input checked="" type="checkbox"/>	<input type="checkbox"/>
	2	8*25mm FIXING SCREW W/LOCKWASHER	<input checked="" type="checkbox"/>	<input type="checkbox"/>
	8	8*45mm COUNTERSUNK SCREW	<input checked="" type="checkbox"/>	<input type="checkbox"/>
	2	3 STEEL LOCKING PIN 1/2. 1*451mm	<input checked="" type="checkbox"/>	<input type="checkbox"/>
	2	ALUM CAP 7.5mm DIA	<input type="checkbox"/>	<input checked="" type="checkbox"/>
	2	SPROCKET 16. L*140*4.5 10mm	<input type="checkbox"/>	<input checked="" type="checkbox"/>
	1	ALLEN KEY 3mm	<input type="checkbox"/>	<input checked="" type="checkbox"/>
	2	8*20mm FIXING SCREW W/LOCKWASHER	<input type="checkbox"/>	<input checked="" type="checkbox"/>
	8	8*45mm COUNTERSUNK SCREW	<input type="checkbox"/>	<input checked="" type="checkbox"/>