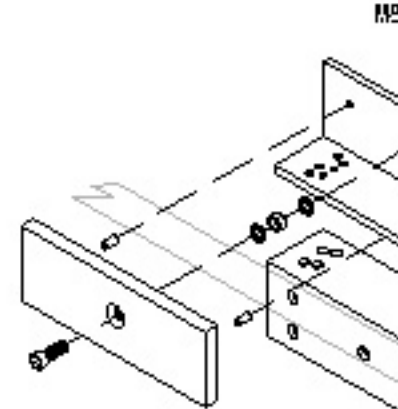
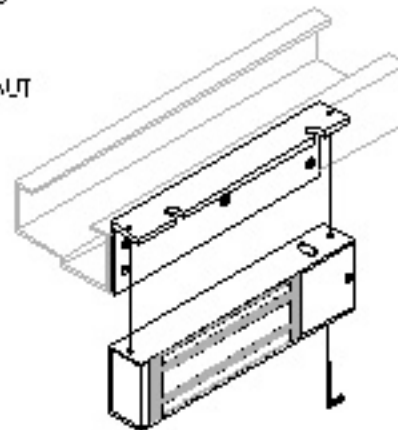
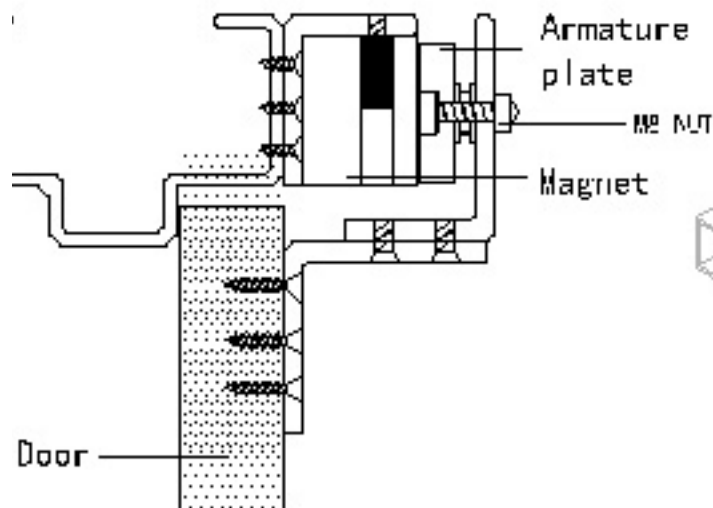


| Picture | Quantity | Specification | 280 SERIES | 280 SERIES |
|---------|----------|----------------------------|-------------------------------------|-------------------------------------|
| | 2 | SPACER 16. 1L*9. 50D*71Dmm | <input checked="" type="checkbox"/> | <input type="checkbox"/> |
| | 2 | M4*30mm SCREW (NYLOCKED) | <input checked="" type="checkbox"/> | <input type="checkbox"/> |
| | 3 | M4 NUT | <input checked="" type="checkbox"/> | <input type="checkbox"/> |
| | 2 | M6*35mm SCREW (NYLOCKED) | <input type="checkbox"/> | <input checked="" type="checkbox"/> |
| | 3 | M6 NUT | <input type="checkbox"/> | <input checked="" type="checkbox"/> |
| | 2 | SPACER 13. 1L*70D*4. 51Dmm | <input type="checkbox"/> | <input checked="" type="checkbox"/> |

INSTALLATION OF L&Z BRACKET (ADJUSTABLE)



| Picture | Quantity | Specification | 280 SERIES | 280 SERIES |
|---------|----------|-----------------------------------|-------------------------------------|--------------------------|
| | 2 | SPACER 16. 1L*9. 50D*71Dmm | <input checked="" type="checkbox"/> | <input type="checkbox"/> |
| | 3 | M6 NUT | <input checked="" type="checkbox"/> | <input type="checkbox"/> |
| | 2 | M6*35mm SCREW (NYLOCKED) | <input checked="" type="checkbox"/> | <input type="checkbox"/> |
| | 2 | M4*30mm SCREW (NYLOCKED) | <input checked="" type="checkbox"/> | <input type="checkbox"/> |
| | 3 | M4 NUT | <input checked="" type="checkbox"/> | <input type="checkbox"/> |
| | 1 | ARMATURE BOLT M6*20mm WITH RUBBER | <input checked="" type="checkbox"/> | <input type="checkbox"/> |
| | 3 | M6 NUT | <input checked="" type="checkbox"/> | <input type="checkbox"/> |