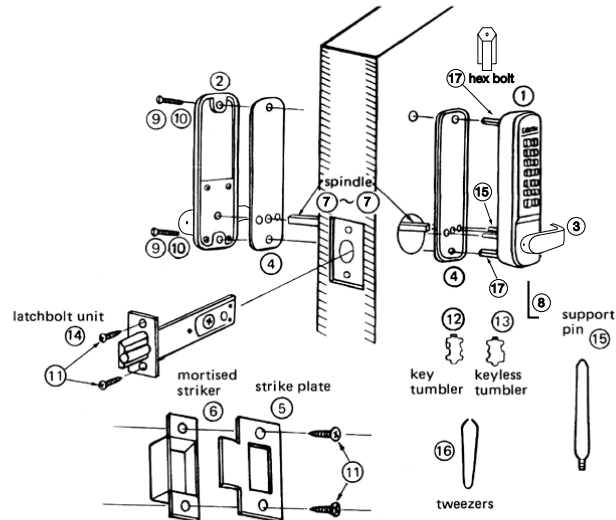


INSTALLATION INSTRUCTIONS FOR DIGITAL DOOR LOCK MODEL 2835 LEVER HANDLE

I. THE NAME AND DETAILS OF THE ENCLOSED PARTS

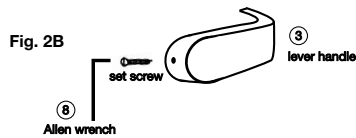
NO.	name of parts	No. 2835
1.	outside body	1 pce
2.	inside body	1 pce
3.	lever handle	3 pcs
4.	rubber escutcheon	2 pcs
5.	strike plate	1 pce
6.	mortised striker	1 pce
7.	spindle	1 pce
8.	Allen wrench	1 pce
9.	machine screw M4 x 1.31/32" for above 7	2 pcs
10.	machine screw M4 x 1.3/8" for above 8	2 pcs
11.	wood screw M4 x 5/8"	4 pcs
12.	key tumbler (red)	2 pcs
13.	keyless tumbler (blue)	3 pcs
14.	latchbolt unit	1 pce
15.	support pin	1 pce
16.	tweezers	1 pce
17.	Hex Bolts	2 pcs



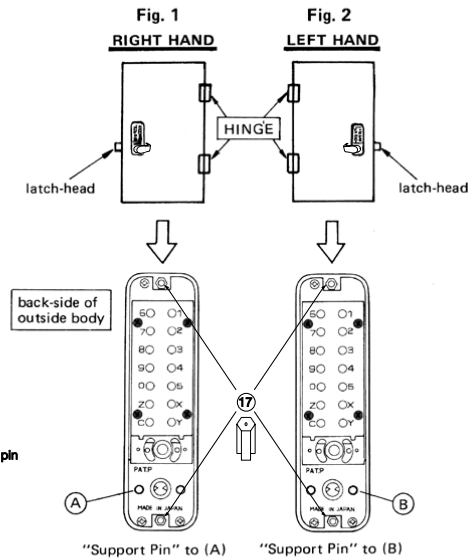
II. CONFIRM THE POSITION OF HINGE BEFORE INSTALLATION

DIGITAL DOOR LOCK is equipped with "FOR BOTH RIGHT OR LEFT HAND" which the hinge is installed on the right or left of the door on the sight from the out-door regardless of the opening direction of the door. Determine the handing of the door and place handle on appropriately. (Point handle toward hinge.) And tighten set screw with Allen wrench #8, as Fig. 2B.

- For Right Hand: Install the supplied SUPPORT PIN (Part No. 15) to "A" as Fig. 1.
- For Left Hand: Install the supplied SUPPORT PIN (Part No. 15) to "B" as Fig. 2A.



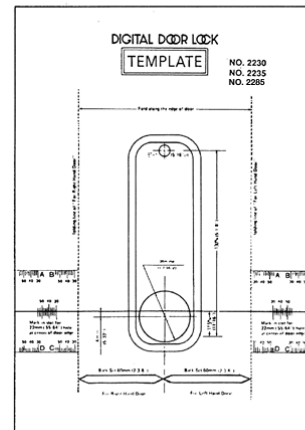
- Install/screw in Hex Bolts #17 into the top and bottom holes on the back side of the outside combination body.



III. HOW TO INSTALL THE DIGITAL DOOR LOCK

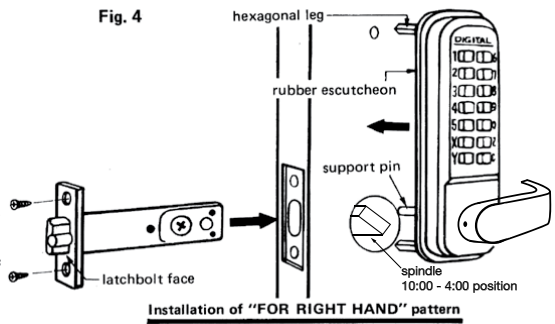
- Use a template at first and decide the position where DIGITAL DOOR LOCK is to be installed.
- Mark the hole center for a small hole (8mm dia. ...5/16" dia.) and for a large hole (36mm dia. ...1.7/16" dia.) on the surface of the door. And also mark the hole center of 1 slot for the Latchbolt Unit at the center of door edge through the template. (Refer Fig. 3)

Fig. 3



- c. Make 2 holes of 8mm (5/16") dia. and 36mm (1.7/16") dia. on the surface and 1 slot of 22mm (55/64") dia. at the door edge.
- d. Insert the Latchbolt Unit into the slot. Scribe a line around the Latchbolt Face and remove it. Chisel out the scribed space until the Latchbolt Face is flush with the surface of the door edge.
- e. Fasten the Latchbolt Unit with the wood screws of M4 x 5/8". (part No. 11)
- f. After placing the Rubber Escutcheon to the back-side of outside body, insert the upper hexagonal leg to 8mm dia. hole and the lower hexagonal leg and the support pin to 36mm dia. hole. (Refer Fig. 4)

Fig. 4

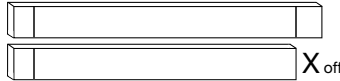


(The support pin should be inserted through the hole which is located at the end of Latchbolt Unit.)

- g. According to the door thickness, select the proper spindle upon referring the following;

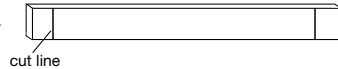
For door thickness from 1.5" up to 2.25" use full spindle #7

For door thickness for 1.125" to 1.75" cut spindle tab off.



Making sure the spindle is the correct length according to the door thickness (if spindle is too long it will cause the lock to bind, if it is too short it will not engage the lock mechanism. Insert it into the spindle hole of the front body and through the spindle hole in the latch bolt from the inside of the door.

Break the spindle according to the door thickness.



- h. Positioning the spindles: IMPORTANT

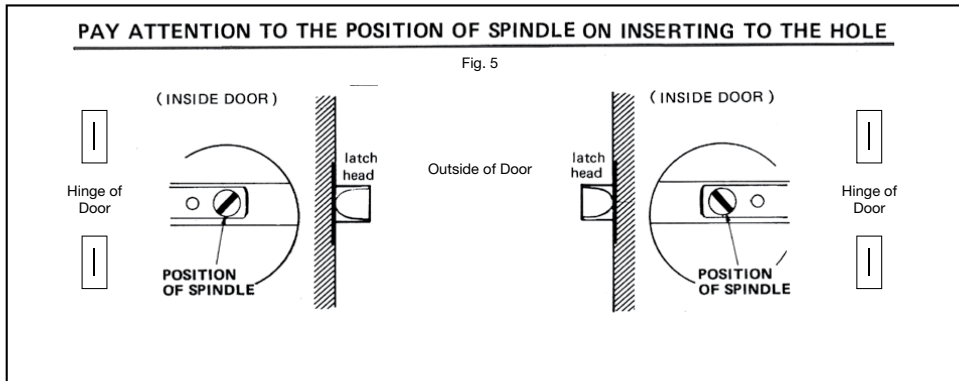


Fig. 5

- i. After placing the Rubber Escutcheon to the back-side of inside body, install it to the door. (The spindle should be inserted to the Spindle Hole of inside body.)
- j. Fasten the inside body with the machine screws of the supplied proper length. (part No. 9-10)
- k. Check the operation of latchbolt by turning the inside lever.
- l. Close the door and decide the position where the latchbolt touches to the face of the door jamb. Make the hole for the Mortised Striker and Strike Plate and chisel out the space for Strike Plate until it is flush with the surface. And fasten them with the wood screws of M4 x 5/8". (part No. 11)

IV. FITTING THE STRIKE PLATE

- Close the door against the door frame and transfer the centre of the latch bolt onto the jamb.
- Position the strike plate on the door so that it fits against the flat of the latch bolt, with dead latch plugger depressed.
- Close the door and mark the position of the strike plate on the door jamb.
- Using the strike plate as a template, align it with the position marks in the jamb and mark the inner and outer edges of the strike plate on the jamb.
- Cut a 1mm deep rebate so that the strike plate fits flush with door jamb.
- Drill and chisel out the latch bolt hole to accommodate the latch bolt strike box.
- Fit strike plate and strike box using only one wood screw at first to ensure that it is positioned accurately.
- The latch bolt and not the dead latch plugger should enter the aperture freely and hold without excessive play.
- When correctly positioned secure with the second wood screw and check lock set for smooth operation.

V. HOW TO USE THE DIGITAL DOOR LOCK, 2835

1. When the door is closed, the 2835 locks automatically.
2. From the inside, unlock using the lever handle.
3. From the outside, unlock by pressing "C", the correct code, and then using the lever handle.
4. You must always push the "C" before your code to assure the lock is cleared from incorrect codes being used. (C = clear button)

Passage Mode (keep unlocked):

After entering the correct code push the "Y" button. This will enter lock into "passage mode." (Y = passage)

To Lock:

Simply push the "Y" and "C" button to put lock back into the lock mode. (YC = lock mode)

Lockey® Warranty:

Lockey® Digital Systems, Inc warrants to the original purchaser of this Digital Door Lock Keyless Access Control that, should it prove defective by reason of improper workmanship and Lockey® Digital Systems, Inc. will replace or repair, at Lockey® Digital Systems, Inc.'s option, this lock at no charge if shipped prepaid with dated proof of purchase during the warranty period to:

*Do NOT return the lock to the retailer where the lock was purchased. All Warranty work must be sent to: (Proof of Purchase Must Be Included)
Lockey® Warranty • 116 W. Michigan Avenue ~ Mt. Pleasant, MI 48858*

THE WARRANTY DOES NOT COVER defects caused by modifications, alterations, repairs or service by anyone other than Lockey® Digital Systems, Inc. physical abuse to, or misuse of the product or its operation in a manner contrary to instructions. WARRANTY IS VOID if silver screws are removed or tampered with from the back of combination side of Lock. If any type of lubricant, oil, grease or any other substance is placed within the Lockey® Digital Door Lock, the Warranty will be Void. Under no circumstances shall Lockey® Digital Systems, Inc. be liable to purchaser or any other person due to any special or consequential damages, whether arising out of breach of warranty, breach of contract or otherwise, including but not limited to, loss of property resulting from the failure of security or any other cause. Any lock that has been abused beyond the point of normal wear and tear will not be repaired. Lockey® Digital Systems, Inc. does not warrant this lock from damage due to improper installation, or against the consequences of use for which this lock was not designed. **If the deadlocking spring latch or adjustable deadbolt fails, please send an email to warranty@lockeydigital.com and parts will be sent to you at no charge. Please include your name, address and the model of your lock as well as the size of the latch (2 3/8" or 2 3/4"). If the entire lock is sent to Lockey® Digital Systems, Inc. and only the latch/deadbolt is needed and the mechanics of the lock are in good working condition, the customer will be charged shipping/c.o.d charges to get the lock back.**

WARRANTY is for Mechanical defects to the lock. Although Lockey® Digital Systems, Inc. uses only the finest protective coatings, finishes have their limitations due to natural elements and causes beyond the control of Lockey® Digital Systems, Inc.. Wear to the finish is not considered to be a defect. Any express warranty not provided in this document and any remedy for breach of contract which, but for this provision might arise by implication or operation of law, is hereby excluded. chapt ability and of fitness for a particular purpose are expressly limited to a term of five years. This warranty also excludes all costs arising from installation and removal.

Exclusions: Locks manufactured prior to 2000 have no warranty coverage.